



IMPORTANT

1. Always include complete heater model and serial number so that any specification change can be considered for parts shipment. It can save time and expense.
2. Specifications are subject to change without notice.
3. We reserve the right to substitute functional replacements.
4. Order either by Kit or Component Part No.



Replacement Parts

Form RZ-NA-P-X/XE/RX/RPV

Obsoletes Form RGM 705 (Version A)

APPLIES TO: Replacement Parts for Models listed in the Index including Models with prefix "C", "H", and "HC"

Index Reference by Page No.	Indoor		Outdoor				Indoor	Outdoor
	Duct Furnace	Packaged Systems	Duct Furnaces		Packaged Systems (Models discontinued as of 1990)		Unit Heaters (Obsolete)	Evaporative Cooler (Obsolete)
	X	XE/XJ	RX	RPV	RXE/RXJ	RPBE/RPVE/RPVJ/REB/REBJ	UA/XA/ XB*	RAM
Model Series Designations (including Models with prefix "C", "H", or "HC")								
Baffles (Heat Exchanger)	10	10	10	10	10	10	--	--
Blower	--	11	--	--	11	11	--	--
Burner Rack and Carryovers	8	8	8	8	8	8	8**	--
Cabinet Parts (Blower)	--	12	--	--	13	13	--	--
Cabinet Parts (Heater)	4	4	4	6	4	4, 6	--	28
Carryover Regulator	8	8	8	8	8	8	--	--
Condensate Drain Kit	27	27	27	27	--	--	--	--
Contactors	--	14	--	--	14	14	--	--
Damper and Damper Controls	--	20-21	--	--	20-21	20-21	--	--
Door Latch Kit	--	13	--	--	13	13	--	--
Downturn Plenum Cabinet	--	--	--	--	20	20	--	--
Drives	--	19	--	--	19	19	--	--
Electrical Components	22-25	22-25	22-25	22-25	22-25	22-25	--	28
Fan Blades	--	--	--	--	--	--	18	--
Fill & Drain Kits (Option CT)	--	--	--	--	--	--	--	28
Filters and Filter Racks	--	12	--	--	13	13	--	28
Firestat	--	23	--	--	23	23	--	--
Flue Restrictors	--	--	6	--	6	6	--	--
Freezestat	--	24	--	--	24	24	--	--
Heat Exchanger	10	10	10	10	10	10	--	--
Limit Controls & Shields	22	22	22	22	22	22	--	--
Manifolds	8	8	8	8	8	8	--	--
Motors (Blower or Fan)	--	14-16	--	--	16-18	16-18	18	--
Pilots	26	26	26	27	26	26-27	26	--
Pressure Switch (air proving)	--	--	24	24	24	24	--	--
Pressure Switch (combustion air)	--	--	--	7, 22	--	7, 22	--	--
Pressure Switch (dirty filter)	--	24	--	--	24	24	--	--
Pressure Switch (gas)	23	23	23	23	23	23	--	--
Relays	23-24	23-24	23-24	23-24	23-24	23-24	23-24	--
Remote Console (Option RC)	25	25	25	25	25	25	--	--
Serial Number Designation	2	2	2	2	2	2	2	--
Starters & Starter Heaters	--	14-16	--	--	16-18	16-18	--	--
Switch, Blocked Vent	22	22	--	--	--	--	--	--
Switches, Disconnect & Toggle	25	25	25	25	25	25	25	--
Tape for Curbs	--	--	27	27	27	27	--	--
Transformer	24	24	24	24	24	24	--	--
***Valves (Shutoff)	8	8	8	8	8	8	8	--
Venters	--	--	--	6	--	6	--	--
Vertical Vent Kit (Option CC3)	--	--	--	6	--	6	--	--
Weatherhood (Outside air hood)	--	--	--	--	20	20	--	--
Z-Baffles (Option ZZ)	--	--	4-5	--	4-5	--	--	--

* Replacement parts for obsolete unit heaters are limited. Cabinet parts are not available. ** Not available for Model UA.

REFERENCES:

Replacement Parts and Service Forms, Form RZ-NA

P-PILOTS, Pilots

P-STATS, Thermostats and Accessories

P-GC, Gas Conversion

P-LTR-TUBES, Burner Rack Carryover and Lighter Tubes

P-RG/RP/RBL, Parts for Model Series RG and RP

P-FAN-LIMIT, Fan and Limit Controls

***P-VALVES, Serial Nos., Gas Valves, Ignition Controllers, and Maxitrol Gas Controls

P-VENTER, Power Venter for Model Series X and XE

737, Parts for Model PAK

CP-X-CONV, Convert Model Series X and RX with G19 or T32 to G770

CP-RPV-CONV, Convert Model Series RPV with G29 to G770

CP-RPV-PS, Pressure Switch Kit for Model Series RPV

CP-X/SC-IGN, Convert Model Series X and RX with G60 to G770

CP-EEDU/RPV/XLB-IGN, Convert Model Series RPV with G60 to G770

Installation/Operation Forms for currently manufactured Models, Form RZ-NA

I-OUTDOOR-DUCT, Models RX and RPV

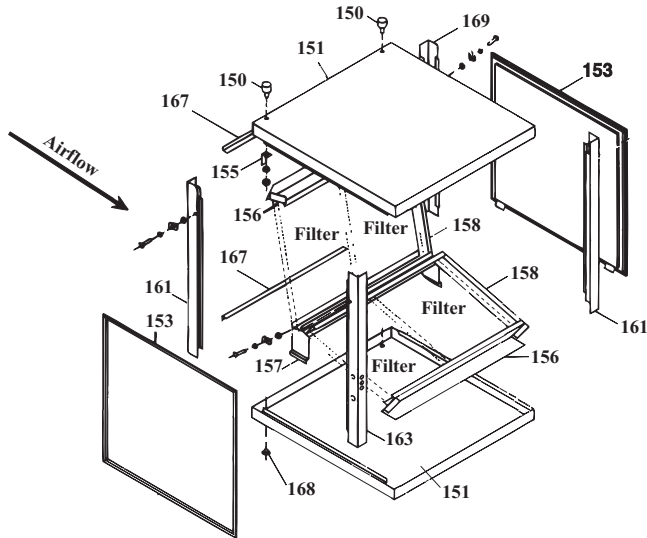
I-XE/RGB/RPB, Model XE

I-X, Model X

Blower Cabinets - Indoor Models

Code	Component Description	Cabinet	75, 100, 125	150, 175	200, 225	250, 300	350	400	
149	Complete Blower Cabinet (less filter rack and filters)	Standard	12545	12546	12547	12548	12549	12550	
		Optional	17046	17055	17063	17066	17120	17123	
150	Hanger Assembly	All	9557	9557	9557	9557	9557	9557	
151	Cabinet Top and Bottom	Standard	11522	11529	11197	11564	11574	11583	
152	Cabinet Top	Optional	11825	11842	11767	11856	11862	11777	
153	Blower Cabinet Door	Standard	51041	51041	51042	51042	51042	51042	
		Optional	84221	84221	84222	84222	84222	84222	
154	Blower Cabinet End panel	Optional	12075	12411	11540	12414	12029	11589	
155	Hanger Support	All	10219	10219	10219	10219	10219	10219	
156	Filter Support	All	19704	19710	19717	19723	19729	19736	
157	Intermediate Filter Stops	All	19708	19715	19721	19727	19734	19742	
158	Filter Stops or Blockoffs - Top/Btm	All	--	104086/104086	--	--	19733/19733	19740/19741	
159	Cabinet Bottom Inlet Cap	Optional	12513	12514	11538	12515	12516	11587	
160	Cabinet Bottom Left Side	Optional	11203	11203	11203	11203	11203	11203	
161	Left Corner Support	All	11517	11517	11210	11210	11210	11210	
162	Rear Bottom Section	Optional	11526	11533	11392	11571	11580	11393	
163	Right Corner Leg	All	11519	11519	19982	19982	19982	19982	
164	Cabinet Bottom Right Side	Optional	11204	11204	11204	11204	11204	11204	
165	Insulation for End Panel	Optional	51053	51054	12327	12328	26103	12329	
166	Insulation for Bottom Panel	Optional	11155	11162	11167	11176	11180	11184	
167	Duct Connecting Angle	Standard	11523	11530	11536	11567	11576	11584	
168	Hole Plug for Bottom Panel	Standard	82413	82413	82413	82413	82413	82413	
169	Right Rear Corner Support	Standard	11518	11518	11211	11211	11211	11211	
170	Filter Rack Assembly	All	24501	24503	24505	24507	24509	24511	
171	Replacement Filters - apply to std and opt indoor cabinets	Fltr Qty and Size	(2) 20x20	(2) 20x25	(2) 16x20	(2) 20x20	(1) 20x20	(3) 16x25	
			(2) 16x25	(2) 20x25	(2) 16x25	(2) 20x25	(3) 20x25	(2) 20x25	
		1" disposable	P/N's	16448	16446	16445	16448	16448	16447
				16447	16446	16446	16446	16446	16446
		2" disposable	P/N's	104098	104100	104097	104098	104098	104099
				104099	104100	104100	104100	104100	104100
		1" permanent	P/N's	101608	101610	101607	101608	101608	101609
				101609	101610	101610	101610	101610	101601
		2" permanent	P/N's	101621	101623	101620	101621	101621	101622
				101622	101623	101623	101623	101623	101623
1" pleated	P/N's	104106	104108	104105	104106	104106	104107		
		104107	104108	104107	104108	104108	104108		
2" pleated	P/N's	104111	104113	104110	104111	104111	104112		
		104112	104113	104112	104113	104113	104113		

Standard Indoor Blower Cabinet - Basic Models XE, XJ



Blower cabinet for Models XC, XE and XJ manufactured prior to August 1975 are not available.

Optional Indoor Blower Cabinet - Models (C)XE, (C)HXE, and XJ

